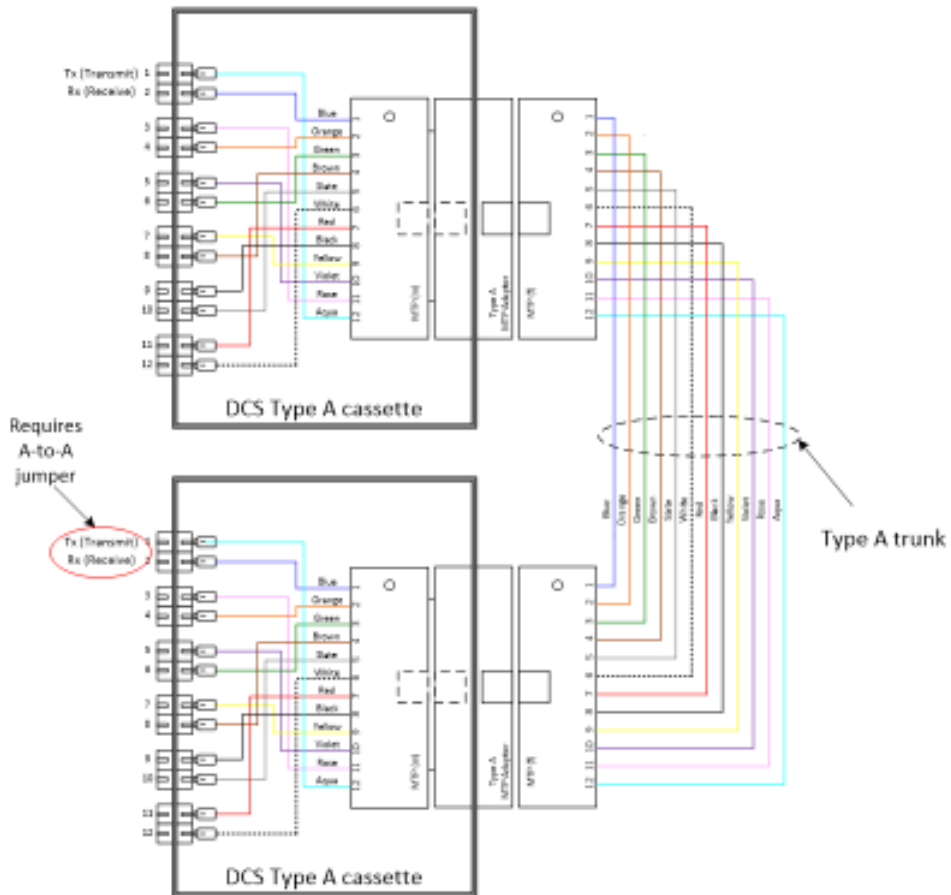


DCS METHOD A



TIA METHOD A

