

ADJUSTABLE OVERHEAD FRAME

This adjustable frame was designed with future growth in mind. The base unit has a bracket kit for 1 unit height. Add a 1U Mount Bracket Add-On Kit as you need more patch panels or switches. 1U Mount Brackets can adjust from front to back in 1.50" increments to have patch panels flush with the front or set back above the tray for ease of cabling in and out of cabling runways. Add as many Add-On Kits as you need.

PRODUCT SPECIFICATIONS

Product Type

Overhead Frame

Product Series

Cabinets and Frames

Features & Benefits

- Modular Design
- Adjustable Rack Units
- Adjustable Rear Support
- Large Front Surface Area for Labeling
- Lightweight Aluminum Design
- Ladder Rack or Basket Tray Mounting Options
- Adjustable Rack Unit Depth
- Angled ID Plate Option

Dimensions

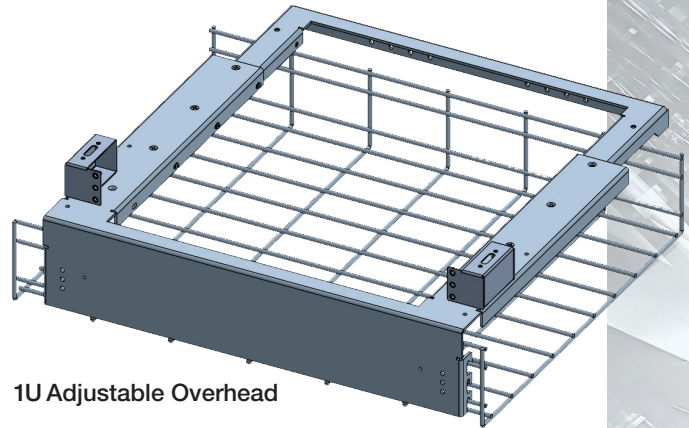
Configuration	Height	Width	Depth
1U Adjustable Overhead	2.50"	21.50"	16.25" - 26.00"
1U Add-On Kit	1.72"	21.50"	16.25" - 26.00"

*Note: Adjustable base is 1.00" from top of cable tray to top of the base

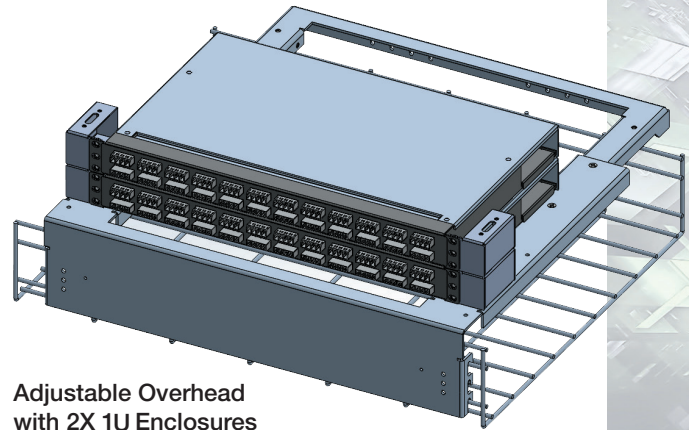
Available Configurations

Item Number	Configuration	Color*
345-0143-000	1U Adjustable Overhead	ECO/Silver
345-0143-001	1U Add-On Kit	ECO/Silver
345-0143-003	1U Adjustable Overhead	Black
345-0143-004	1U Add-On Kit	Black

*Other Colors Available Upon Request



1U Adjustable Overhead



Adjustable Overhead
with 2X 1U Enclosures

Note: All pictures shown are for illustration purposes only. Actual product may vary due to product enhancement

FIND OUT HOW DCS' CONNECTIVITY SOLUTIONS CAN IMPROVE YOUR COMPANY'S PERFORMANCE.

972-620-4997 | 1881 Valley View Lane, Dallas, Texas 75234 | salesupport@datacentersystems.com

Confidential: This document contains information of a proprietary nature to Data Center Systems. Any reproduction, use or dissemination of said information in whole or part without the express written consent to Data Center Systems is prohibited.

