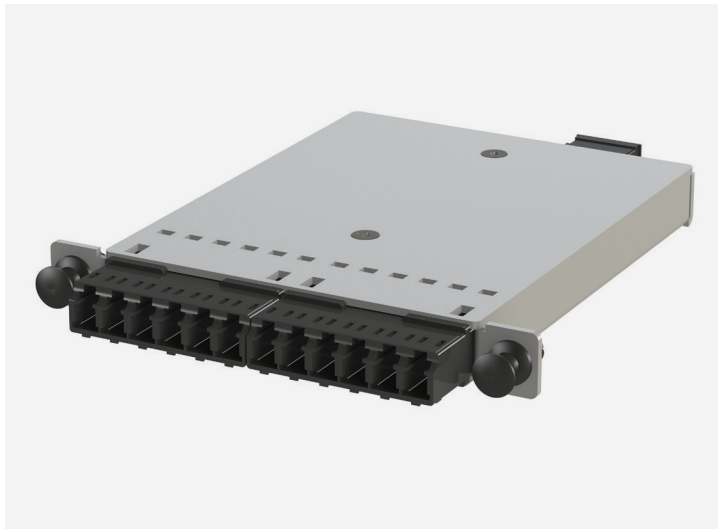


# 6 CHANNEL LC-MTP MICRO-HD DCS TYPE B MODULAR CASSETTE



## General Specifications

Product Series	Micro-HD Series					
Product Type	Cassette					
Polarity	DCS Type B	<b>IMPORTANT:</b> DCS polarity types may be configured differently from TIA Standard configurations to achieve end-to-end connectivity for methods A,B and C.				
Fiber Count	12					
Front Adapter	LC Multiport					
MTP Adapter	Key-up to key-up					
Insertion Loss	0.40dB Max ( $\leq 0.25$ -MTP; $\leq 0.15$ -LC)					
Dimensions	Height	0.50"	Width	4.11"	Depth	4.00"

## Application

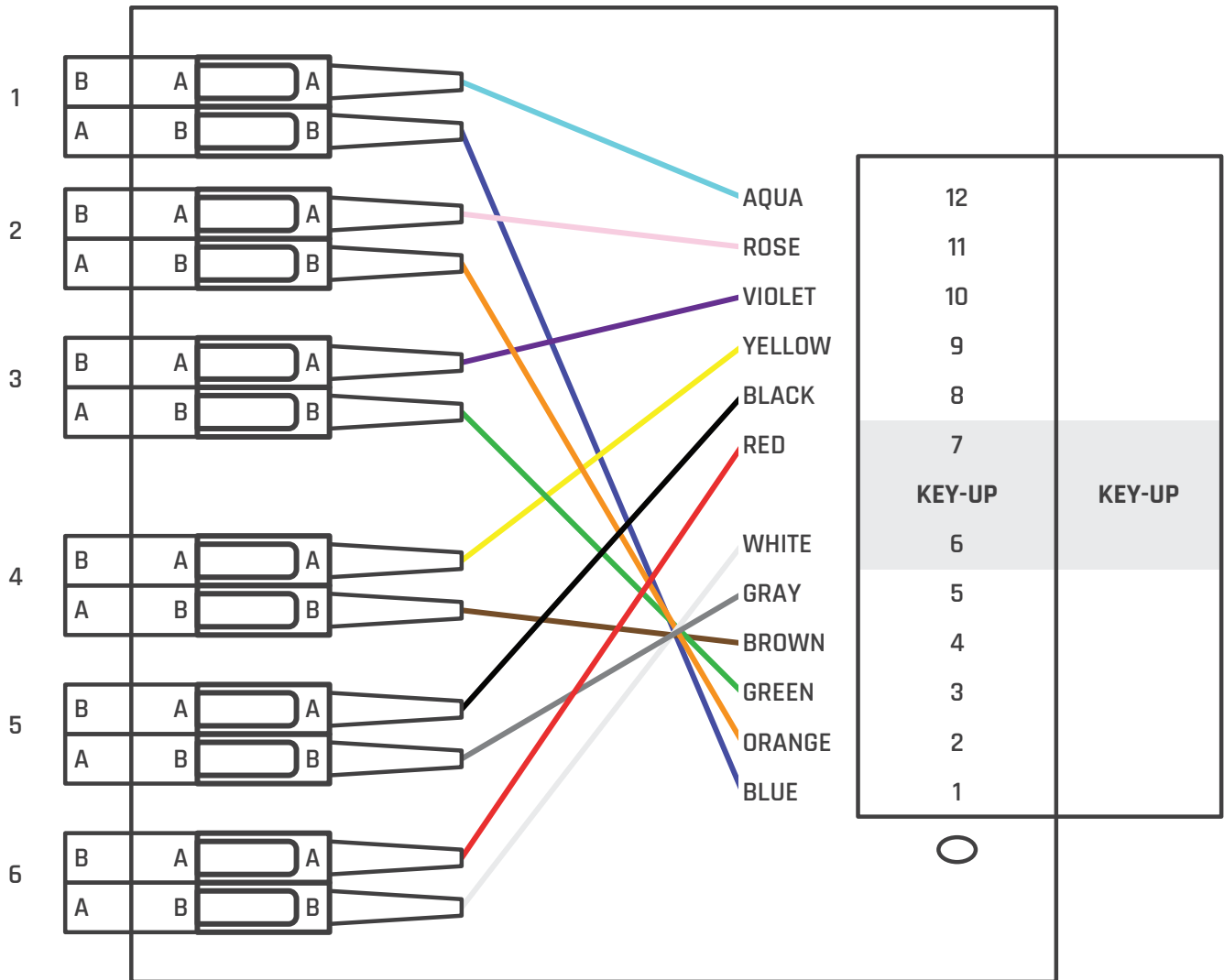
Micro-HD Series patching products are designed for high density environments when space is crucial and a high volume of patching is required. Fits in DCS Micro-HD Series 1U, 2U and 4U Modular Patch Panel Enclosures.

- 1U Houses 12 Micro-HD Cassettes or Adapter Panels
- 2U Houses 24 Micro-HD Cassettes or Adapter Panels
- 4U Houses 48 Micro-HD Cassettes or Adapter Panels

**TO ORDER, CONTACT YOUR SALES REP, OR CALL US DIRECTLY:**

972-620-4997 | [salesupport@datacentersys.com](mailto:salesupport@datacentersys.com) | [datacentersys.com](http://datacentersys.com)

## DCS TYPE B (6 CH) CASSETTE (KEY-UP/KEY-UP MTP ADAPTER)



**TO ORDER, CONTACT YOUR SALES REP, OR CALL US DIRECTLY:** 972-620-4997 | [salesupport@datacentersys.com](mailto:salesupport@datacentersys.com) | [datacentersys.com](http://datacentersys.com)