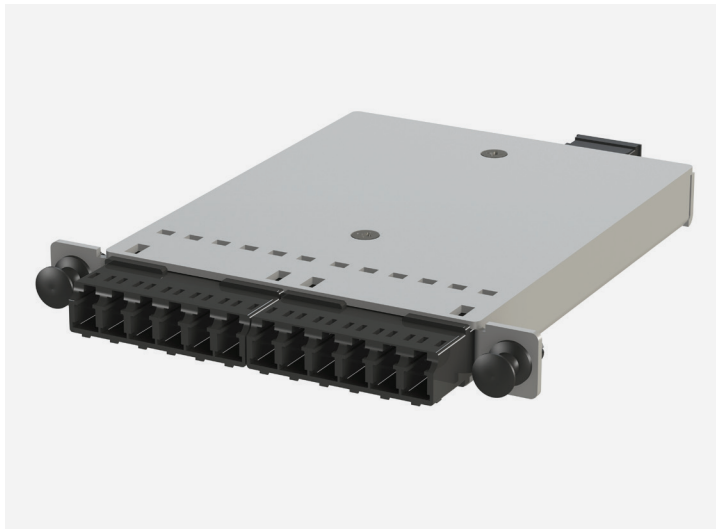


6 CHANNEL LC-MTP MICRO-HD DCS TYPE A MODULAR CASSETTE



General Specifications

Product Series	Micro-HD Series					
Product Type	Cassette					
Polarity	DCS Type A	IMPORTANT: DCS polarity types may be configured differently from TIA Standard configurations to achieve end-to-end connectivity for methods A,B and C.				
Fiber Count	12					
Front Adapter	LC Multiport					
MTP Adapter	Key-up to key-down					
Insertion Loss	0.40dB Max (≤ 0.25 -MTP; ≤ 0.15 -LC)					
Dimensions	Height	0.50"	Width	4.11"	Depth	4.00"

Application

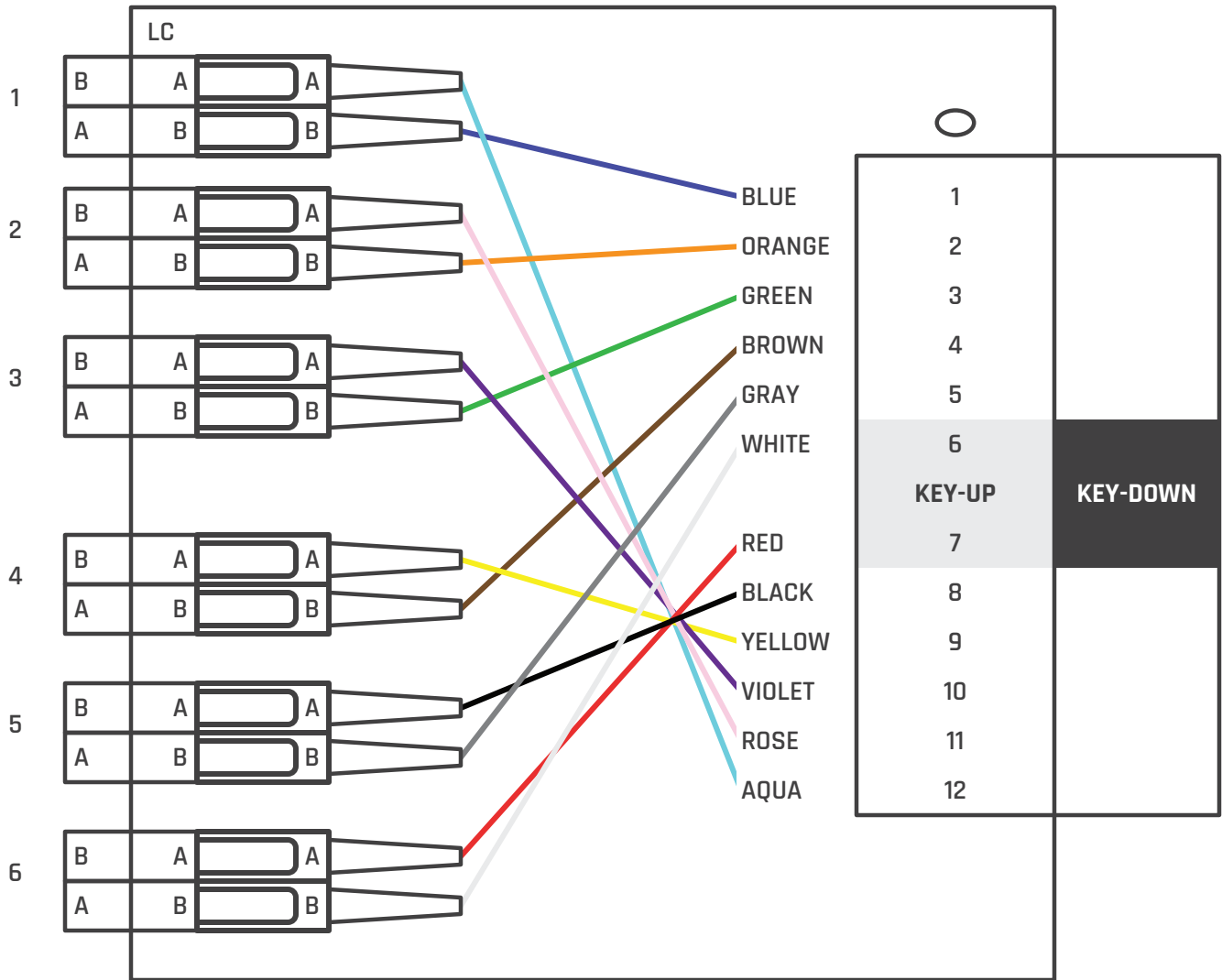
Micro-HD Series patching products are designed for high density environments when space is crucial and a high volume of patching is required. Fits in DCS Micro-HD Series 1U, 2U and 4U Modular Patch Panel Enclosures.

- 1U Houses 12 Micro-HD Cassettes or Adapter Panels
- 2U Houses 24 Micro-HD Cassettes or Adapter Panels
- 4U Houses 48 Micro-HD Cassettes or Adapter Panels

TO ORDER, CONTACT YOUR SALES REP, OR CALL US DIRECTLY:

972-620-4997 | salesupport@datacentersys.com | datacentersys.com

DCS TYPE A (6 CH) CASSETTE (KEY-UP/KEY-DOWN MTP ADAPTER)



TO ORDER, CONTACT YOUR SALES REP, OR CALL US DIRECTLY:

972-620-4997 | salesupport@datacentersys.com | datacentersys.com